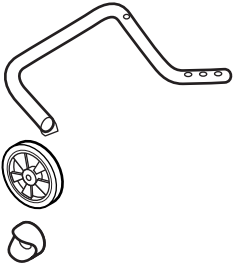








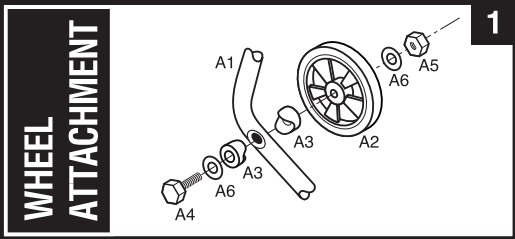


# ROOF HOOK Assembly Instructions

## Read Carefully Before Assembly

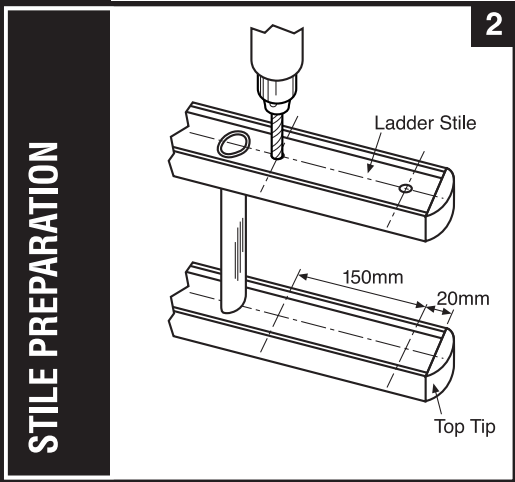
Please check you have all components listed (tick boxes)

<b>COMPONENT LIST</b>		<b>A1</b> Roof Hook..... x2 <input type="checkbox"/>		<b>A4</b> Bolt (M8x75mm)..... x6 <input type="checkbox"/>
		<b>A2</b> Wheel ..... x2 <input type="checkbox"/>		<b>A5</b> Locking Nut (M8)..... x6 <input type="checkbox"/>
		<b>A3</b> Spacer .....x12 <input type="checkbox"/>		<b>A6</b> Washer (M8).....x12 <input type="checkbox"/>
				<b>A7</b> End Cap .....x4 <input type="checkbox"/>



### Wheel Attachment

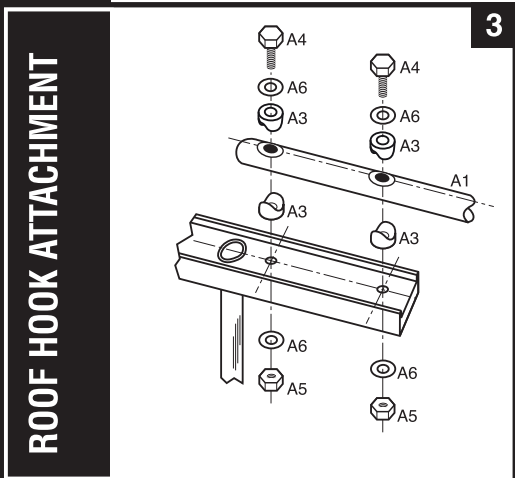
**1** Attach one wheel (A2) to the 'inside' of each roof hook (A1) using one bolt (A4), two spacers (A3), two washers (A6) and one nut (A5). Check that one 'left-hand' and one 'right-hand' assembly are produced. Tighten bolts and nuts until wheels just rotate freely.



### Ladder Stile Preparation

**2** Mark a point on outside face of each ladder stile 20mm down from top of stile and at centre of stile. Mark a second point 150mm further down each stile and again at centre of stile. (If either mark coincides with a ladder rung, use middle holes in roof hook).

Drill an 8.5mm diameter hole through ladder stile at each of the four marked points.



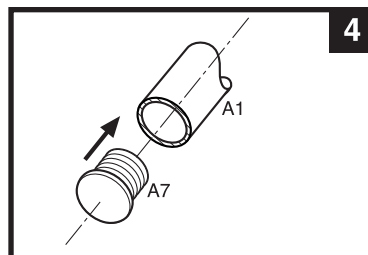
### Roof Hook to Ladder Stile Attachment

**3** Attach each roof hook/wheel assembly to the outside of the ladder stile using two bolts (A4), four spacers (A3), four washers (A6) and two nuts (A5), ensuring that the wheel is situated on the inner side. (It may be necessary to remove the top tips from the ladder stiles to correctly locate the roof hooks).

Ensure that the roof hooks are attached to the ladder at all four positions and that all points of attachment are secure.

### End Cap Attachment

**4** Push end caps (A7) fully into both open-ends of each roof hook.



## IMPORTANT

**DO NOT** attempt to use your roof hook until assembly & attachment is complete.

**Customer Helpline No. +44 (0) 1621 745 900**

Werner UK Sales & Distribution Ltd. Blackwater Trading Estate, The Causeway, Maldon, Essex, CM9 4LJ.